



SERVING THE FOOD INDUSTRY SINCE 1951

Buffalo Choppers / Bowl Cutter Food Processors

ITEM: 47835 47836
 MODEL: FP-ES-0095 FP-ES-0135



Bowl cutting produces as much as 15% higher finished product yield.

has numerous features that demonstrate its wide possibilities of use, both universal cutter and emulsifier, to produce fine and delicate pastes.

You can chop and knead (kneading in two senses) to perfection any type of charcuterie (sausages, pates, etc.), vegetarian cuisine (onions, potatoes, carrots, lettuce, etc.), poultry, fish, processed cheeses, pastries, and many commodities of the food processing industry.

The presentation of the product is optimal, since the meat mix is not crushed, bruised or drained.

FEATURES:

- **Safety and Hygiene**

The bowl, made entirely of solid cast stainless steel, is protected by a front guard and has mechanized step to avoid spoiling of liquids/dough.

- **Modern and Reliable Design**

Very robust construction, stainless steel AISI304, and Solid bowl made of robust stainless steel cast, with liquid drain plug.

- **High Productivity and Efficient Power**

High cutting speed with large bowl capacity to suit your needs.

- **Easy Maintenance**

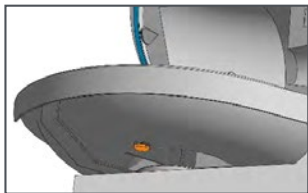
Thermal protection on all motors. Large openings to access the interior.



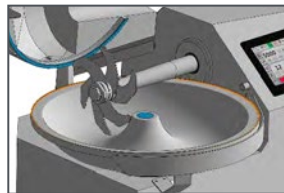
Knife head assembly: 6 or 3 Knives



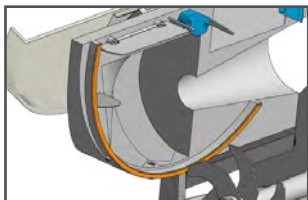
Talsa Control 15" Touch Screen



Bowl Drain Plug



Elevated Outer Bowl Rim



Removable Lid/Bowl Friction Band and Bowl Rim Scraper



Large Openings, Folding Electric Distribution Panel

Telephone: 1-800-465-0234

Fax: (905) 607-0234

Email: sales@omcan.com

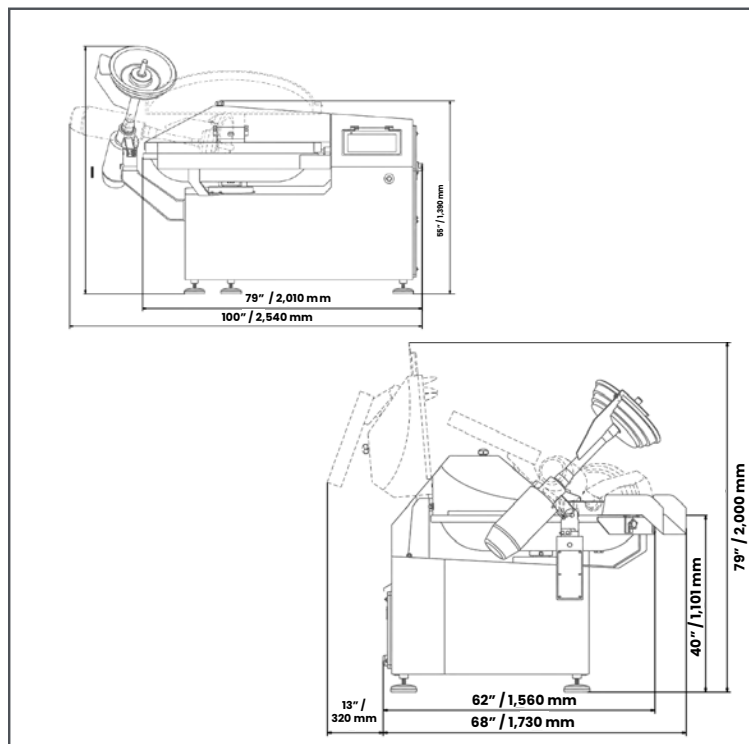
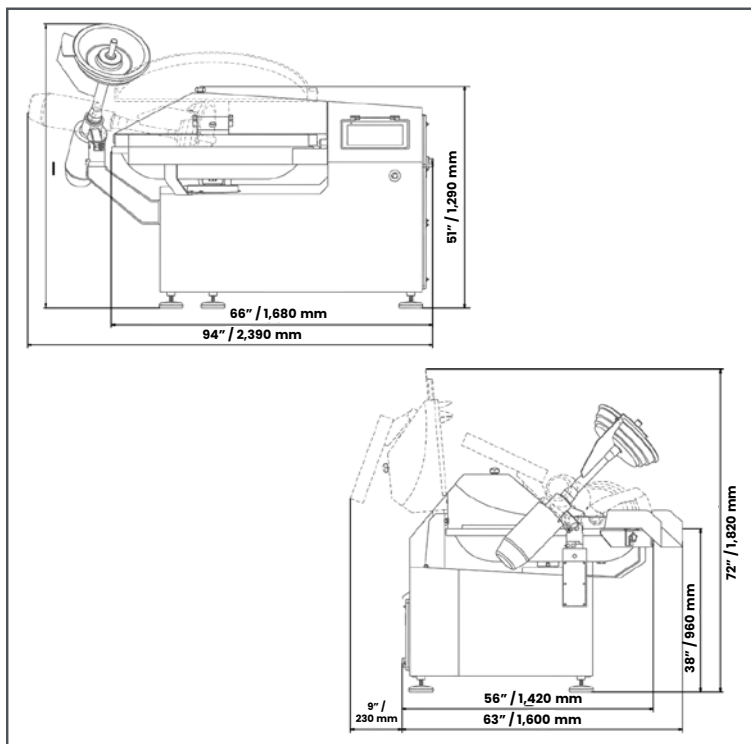
Website: www.omcan.com



Authorized Dealer



TECHNICAL DRAWING



TECHNICAL SPECIFICATION

Features	100QT / 95L Bowl Volume	143QT / 135L Bowl Volume
Item	47835	47836
Model	FP-ES-0095	FP-ES-0135
Bowl Volume	100QT / 95L	143QT / 135L
Mixture Bowl Capacity (Approx.)	110 lb. / 50 kg.	155 lb. / 70 kg.
Machine Power	34 HP / 25,000 W	48 HP / 35,000 W
Knife Motor Power	30 HP / 22,000 W	41 HP / 30,000 W
Knife Speed (Variable)	500 - 5,000 RPM	500 - 5,000 RPM
Bowl Speed	4 - 20 RPM	4 - 20 RPM
Electrical	220V / 60Hz / 3Ph	220V / 60Hz / 3Ph
Amps	100 A	125 A
Net Weight	3,087 lb. / 1,400 kg.	4,409 lb. / 2,000 kg.
Net Dimensions (WDH)	66" x 63" x 72" / 1,680 x 1,420 x 1,820 mm	100" x 68" x 79" / 2,540 x 1,730 x 2,000 mm
Gross Weight	3307 lb. / 1500 kg.	4,623 lb. / 2,097 kg.
Gross Dimensions (WDH)	85" x 71" x 73" / 2,150 x 1,800 x 1,600 mm	85" x 71" x 73" / 2,150 x 1,800 x 1,600 mm
Plug Type	Bare Wire	Bare Wire